



VPFUJI-C10 Series Micro & Economic Inverter

- Compact size and low cost design;
- Terminals uncovered, easy for wiring
- DIN-rail mounting (below 5.5kW)
- Supports MODBUS via RS485
- Maintenance-free
- V/F control; Built-in PID control,
- Power range: 220V 0.4kW~2.2kW
380V 0.4kW~315kW

Technical Specification

Items		VPFUJI-C10
Power Supply	Rated voltage, Frequency	One-phase/Three-phase AC 220V/380V 50/60Hz
	Voltage Range	220V: 170~240V 380V: 330V~440V
Output	Voltage Range	220V: 0~220V 380V: 0~380V
	Frequency Range	0.10~400.00Hz
Control method		V/F control
Indication		Operating status/Alarm definition/interactive guidance: frequency setting, the output frequency/ current, DC bus voltage and so on.
Control Specifications	Output Frequency Range	0.10Hz~400.00Hz
	Frequency Setting Resolution	Digital input: 0.10Hz, analog input: 0.1% of maximum output frequency
	Output Frequency Accuracy	0.01Hz
	V/F Control	Setting V/F curve to satisfy various load requirements.
	Torque Boost	Auto increase: auto raise torque by loading Condition; Manual increase: enable to set 0.0~20.0% of raising torque.
	Multifunctional Input Terminal	Four multi-function input terminals, realizing functions including eight section speed control, Program running, four-section acceleration/deceleration speed switch, UP/DOWN function and emergency stop and other functions
	Multifunctional Output Terminal	1 multi-function output terminals for displaying of run, zero speed, external abnormality, program operation and other information and warnings.
Other functions	Acceleration/Deceleration Time Setting	0~999.9s acceleration/deceleration time can be set individually.
	PID Control	Built-in PID control
	RS485	Standard RS485 communication function(MODBUS)
	Frequency Setting	Analog input: 0 ~ 10 V, 4~20mA Digital input: Operation panel or RS485 or UP/DOWN. Note: AVI terminals can be used to select an Analog voltage input (AV) and analog current input (AI) through the switch J2.
	Multi-speed	Four multifunction input terminals, 15 section speed can be set
Protection/Warning Function	Automatic Voltage Regulation	Automatic voltage regulation function can be selected
	Counter	Built-in 2 group of counters
Protection/Warning Function	Overload	150%, 60 second(Constant torque)
	Over Voltage	Over voltage protection can be set.

8

VPFUJI-C10 Series Micro & Economic Inverter

Items		VPFUJI-C10
Protection/Warning Function	Under Voltage	Under voltage protection can be set
	Other Protections	Output short circuit, over current, and parameter lock and so on.
Environment	Ambient Temperature	-10°C to 40°C(non-freezing)
	Ambient Humidity	Max. 95% (non-condensing)
	Altitude	Lower than 1000m
Structure	Vibration	Max.0.5G
	Cooling Mode	Forced air cooling
Installation	Protective Structure	IP 20
	Installation	Wall-mounted or standard 35mm rail mounting (≤5.5kW)

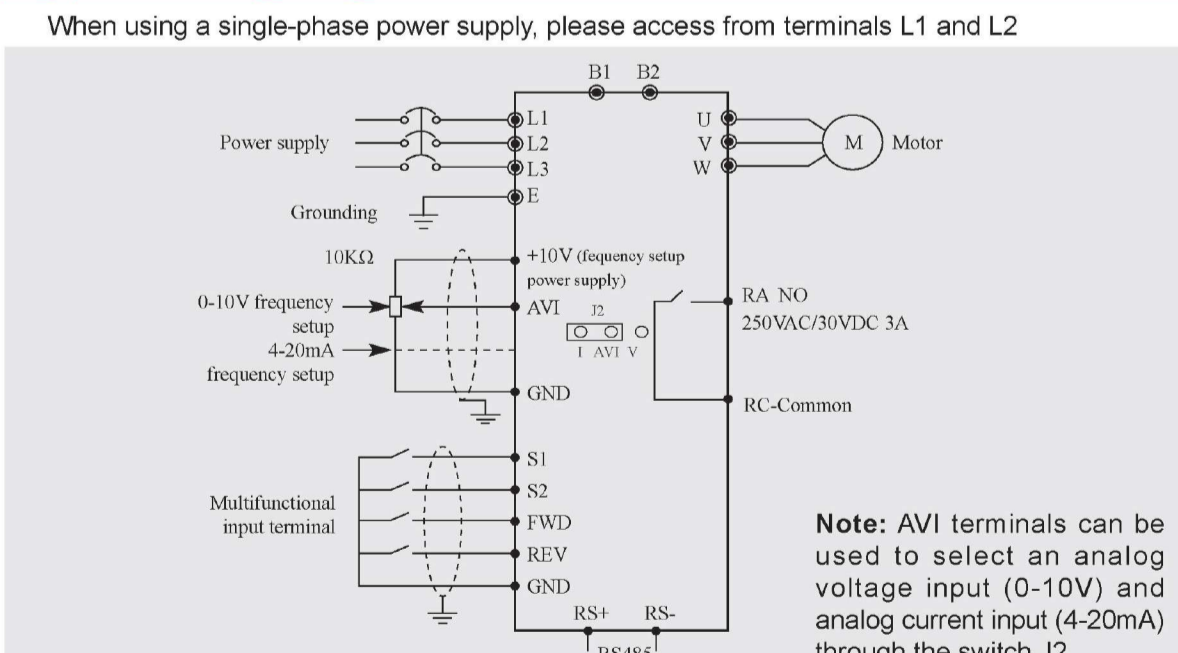
Specification

Model	Input Current (A)	Output Power (kW)	Capacity (KVA)	Output Current (A)	Overload capacity (60s)(A)	Motor Equipped (kW)
Input Voltage(V): 1PH AC220V±15%						
FR0.4GC10-2J	5.4	0.4	1.0	2.5	3.75	0.4
FR0.75GC10-2J	8.2	0.75	2.0	5	7.5	0.75
FR1.5GC10-2J	14	1.5	2.8	7	10.5	1.5
FR2.2GC10-2J	23	2.2	4.5	11	16.5	2.2
Input Voltage(V): 3PH AC380V±15%						
FR0.4GC10-4J	3.4	0.4	2	2	3	0.4
FR0.75GC10-4J	3.8	0.75	2.2	2.7	4.05	0.75
FR1.5GC10-4J	5.0	1.5	3.2	4.0	6	1.5
FR2.2GC10-4J	5.8	2.2	4.0	5.0	7.5	2.2
FR3.7G/5.5PC10-4J	10.7	3.7	6.8	8.6	12.9	3.7
FR5.5G/7.5PC10-4J	14.6	5.5	10	12.5	18.75	5.5
FR7.5G/11PC10-4J	20	7.5	11.2	17.5	26.25	7.5
FR11G/15PC10-4J	26	11	17	24	36	11
FR15G/18.5PC10-4J	35	15	26	33	49.5	15
FR18.5G/22PC10-4J	38	18.5	32	40	60	18.5
FR22G/30PC10-4J	46	22	37	47	70.5	22
FR30G/37PC10-4J	62	30	52	65	97.5	30
FR37G/45PC10-4J	76	37	64	80	120	37
FR45G/55PC10-4J	90	45	72	90	135	45
FR55G/75PC10-4J	105	55	84	110	165	55
FR75G/90PC10-4J	140	75	115	152	228	75
FR90G/110PC10-4J	160	90	135	176	264	90
FR110G/132PC10-4J	210	110	160	210	315	110
FR132G/160PC10-4J	240	132	193	255	382.5	132
FR160G/185PC10-4J	290	160	230	305	457.5	160

9

Typical Wiring Diagram

When using a single-phase power supply, please access from terminals L1 and L2



Dimension

Unit: mm

Model	W	H	D	A	B	Φd
FR0.4GC10-2J	68	132	102	120	57	4.5
FR0.75GC10-2J						
FR1.5GC10-2J						
FR2.2GC10-2J						
FR0.4GC10-4J	72	142	112.2	130	61	4.5
FR0.75GC10-4J						
FR1.5GC10-4J						
FR2.2GC10-4J						
FR3.7G/5.5PC10-4J	85	180	116	167	72	5.5
FR5.5G/7.5PC10-4J						
FR7.5G/11PC10-4J	106	240	153	230	96	4.5
FR11G/15PC10-4J						
FR15G/18.5PC10-4J	151	332	165.5	318	137	7
FR22G/30PC10-4J						
FR30G/37PC10-4J	217	400	201	385	202	7
FR37G/45PC10-4J						
FR45G/55PC10-4J	300	470	240	455	200	9
FR55G/75PC10-4J						
FR75G/90PC10-4J	275	630	310	612	200	9
FR90G/110PC10-4J						
FR110G/132PC10-4J	400	715	310	695	320	11
FR132G/160PC10-4J						
FR160G/185PC10-4J						

Note: 55G cannot be G/P, and 75P needs to be ordered separately.

10